

# Poly 16 Plus Compression Fittings

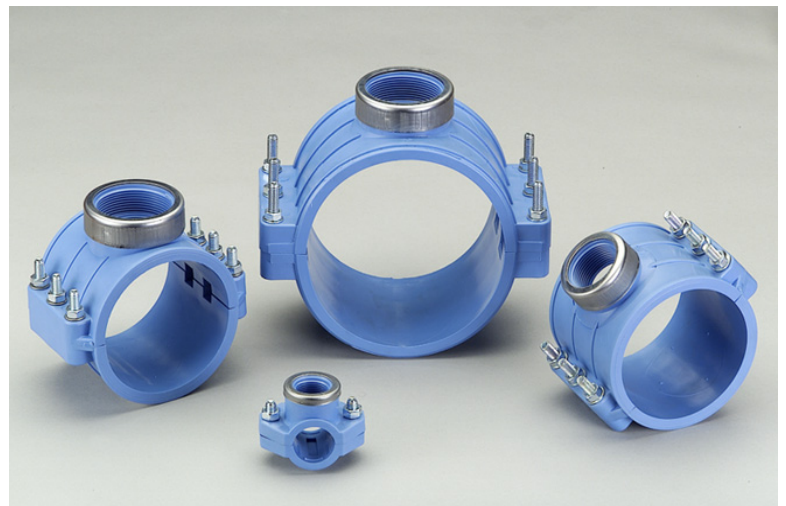


- **Save on Installation Time**  
Quick & Easy  
(Assemble without disassembling)
- **No Leaks**  
(Active Seal)
- **Your Choice of Colour**  
(Blue and Black Nut)
- **Lower Warehousing Costs**  
(Reducing Kits available)  
(Bar codes on fittings and cartons)

Couplings † Male Adaptors † Female Adaptors † Tees † 90° Elbows † 45° Elbows † Reducers

## Clamping Saddles

- **Comprehensive Size Range**  
(20mm - 315mm)
- **Higher Pressure Rating**  
(PN16)
- **No Corrosion**  
(Stainless Steel Bolts Available)



*Available in UV Stabilised  
Black or Blue Nut*



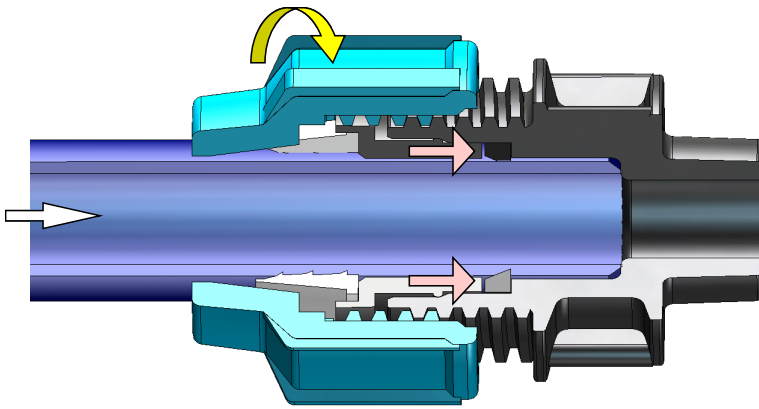
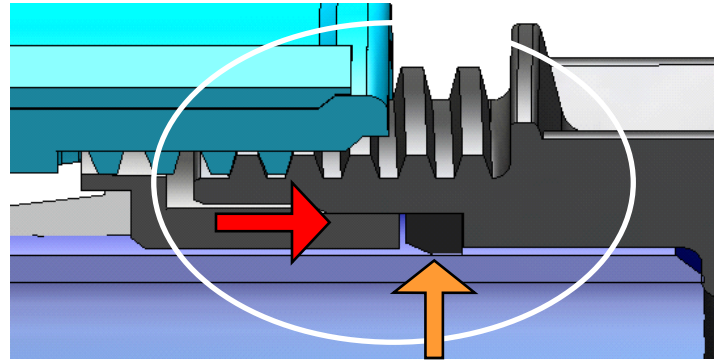
**GEORG FISCHER**  
PIPING SYSTEMS

# Ø16mm – 63mm - Patented Active Sealing System

The patented thrust ring and double lip gasket system allows for insertion of the pipe without disassembling the fitting. The large contact surface between the pipe and the gasket, and the active pressure of the thrust ring result in an excellent seal even when the pipe is

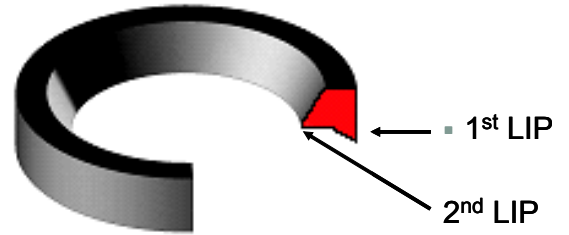
- under vacuum / suction
- scratched
- ovalised
- undersized

- No Chamfering is required
- One man installation



## Compression fitting

## with double lip gasket and thrust ring



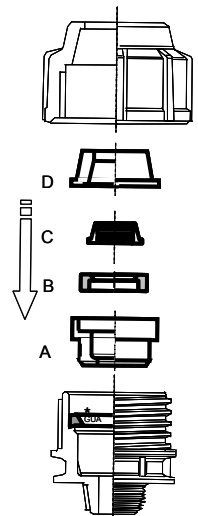
- The 1st LIP and the groove in the body allows the gasket to remain in the right position during the pipe's insertion.
- The 2nd LIP guarantees the hydraulic resistance

## NEW Reducing Kits

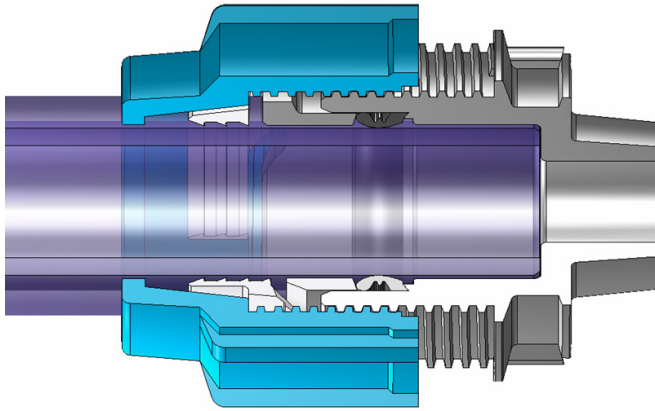
OFFERING
25-20
32-20
32-25
40-20
40-25
40-32
50-25
50-32
50-40
63-25
63-32
63-40
63-50



- Increases Flexibility
- Reduces Inventory



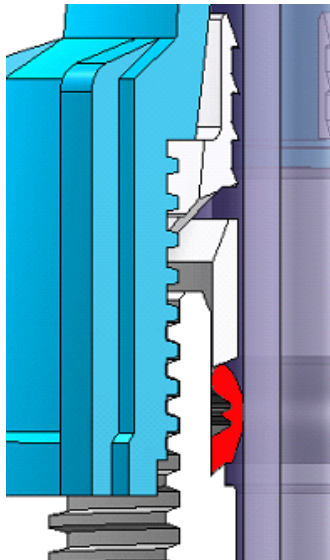
# Ø 75mm – 110mm – Active Sealing System



**compression fitting  
with spring gasket  
and thrust ring**

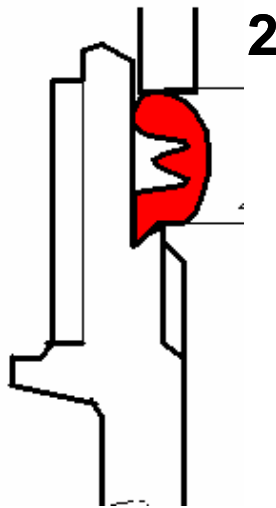


## Easy 3 Step Installation



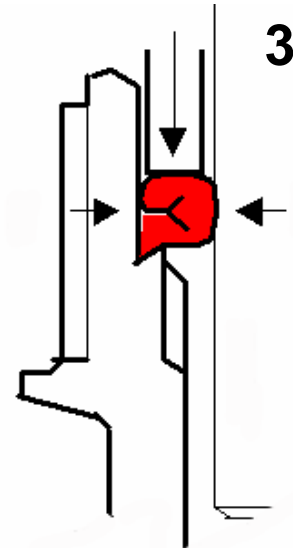
**1**

**1. Very easy pipe insertion  
with no initial contact  
between the gasket and pipe.  
One Person Installation.**



**2**

**2. The gasket compresses  
as the nut is screwed.**



**3**

**3. The gasket is compressed.  
There is a large contact  
surface between the gasket  
and pipe creating a quality  
hydraulic seal.**

***Tightening Wrenches  
for body and Nut***

**d16 – d32  
(PP)**

**d40 – d63  
(METAL)**

**d75 – d100  
(METAL)**



# Clamping Saddles Sizes d20mm – d315mm

**NEW PN16** (sizes up to 160mm) **PN6** (180mm – 315mm)

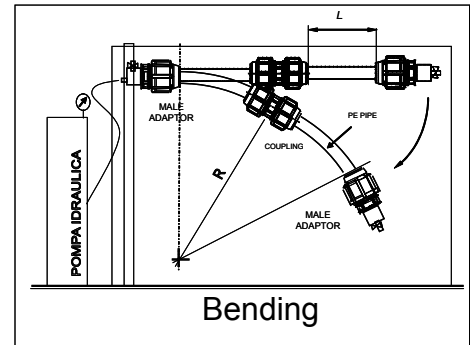


- **Body**
  - Colour: Blue or black
  - Virgin polypropylene in Master batch
  - UV resistance (Grade 8, 65°C working temp, 50 years)
- **Gasket**
  - Rubber approved for contact with potable water (NBR)
  - Shore: ½” – 4” : 70 sh
- **Reinforcement Ring** - Stainless Steel AISI 430
- **Bolts** - galvanized or stainless steel

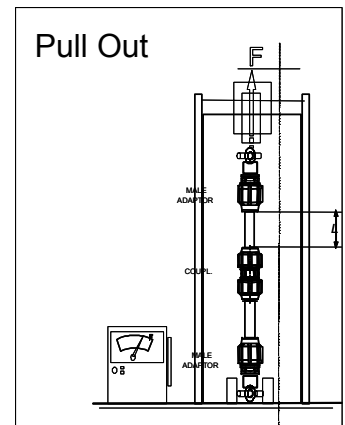
## Stringent Quality and Standards Testing

### Test Standards - ISO 13460

- **For PE Pipe:** AS4130
- **For PVC, C-PVC pipe:** ASTM, DIN1785 F441
- **For PP acid waste:** ASTM F – 1412
- **Threads:** Female thread (pressure tight) ISO7, DIN2999, BS 21, ANSI / ASME BI – 201



Test Type	Standard	Conditions
Appearance	UNI 9562	Alprene Specifications
Dimensions	UNI 9562 - ISO 7/1	Alprene Specifications
Hydrostatic Strength	UNI 9562	$P = 1.5 \times PN > 15'$ T = 20°C
Tightness of Joints	ISO 3458 - UNI 9562 - ISO 14236	$P = 3 \times PN > 1h$ T = 20°C
Tightness of the joints when subjected to bending	ISO 3458 - UNI 9562 - ISO 14236	$P = 3 \times PN > 1h$ T = 20°C
Pull Out Force	ISO 3501 - UNI 9562 AS/NZS4129 - ISO14236	$F = 1.5 \times \sigma_t \times \Pi / 4 (d_2 - d_2) > 1h$ T = 20°C
Water-tightness under vacuum	ISO 3459 - UNI 9562 AS/NZS4129-ISO14236	$0.1 b > 1h - 0.8 b > 1h$
Oven test	BRL-K 534	Body of the fitting: 140°C 1h
Long Term Pressure Test	ISO 14236 - AS/NZS 4129	$P = 0.8 \times PN$ T = 40°C 1000h



*The technical data is not binding. They are not warranted characteristics and are subject to change. Please consult our general conditions of sale*

**George Fischer Pty. Ltd. A.B.N. 37 001 686 399**

**Head Office:** 186 – 190 Kingsgrove Road, Kingsgrove NSW 2208 Tel +61 2-9554 3977 Fax +61 2-9554 3559

**Sales Office Melbourne:** 41/23-25 Bunney Road, South Oakleigh VIC 3167 Tel 1300 130 149 Fax +61 3 9558 3545

**Sales Office Brisbane:** Unit 7, 30 Raubers Road, Banyo QLD 4014 Tel 1300 130 149 Fax +61 7 3267 6400

**Sales Office Perth:** 25 King Edward Road Osborne Park Western Australia 6017 Tel +61 8 92042122 Fax +61 8 92042155

**Sales Office Townsville:** PO Box 255 Aitkenvale MC Queensland 4814 Tel 1300 130 149 Fax +61 7 4723 5519



**GEORG FISCHER**  
PIPING SYSTEMS

